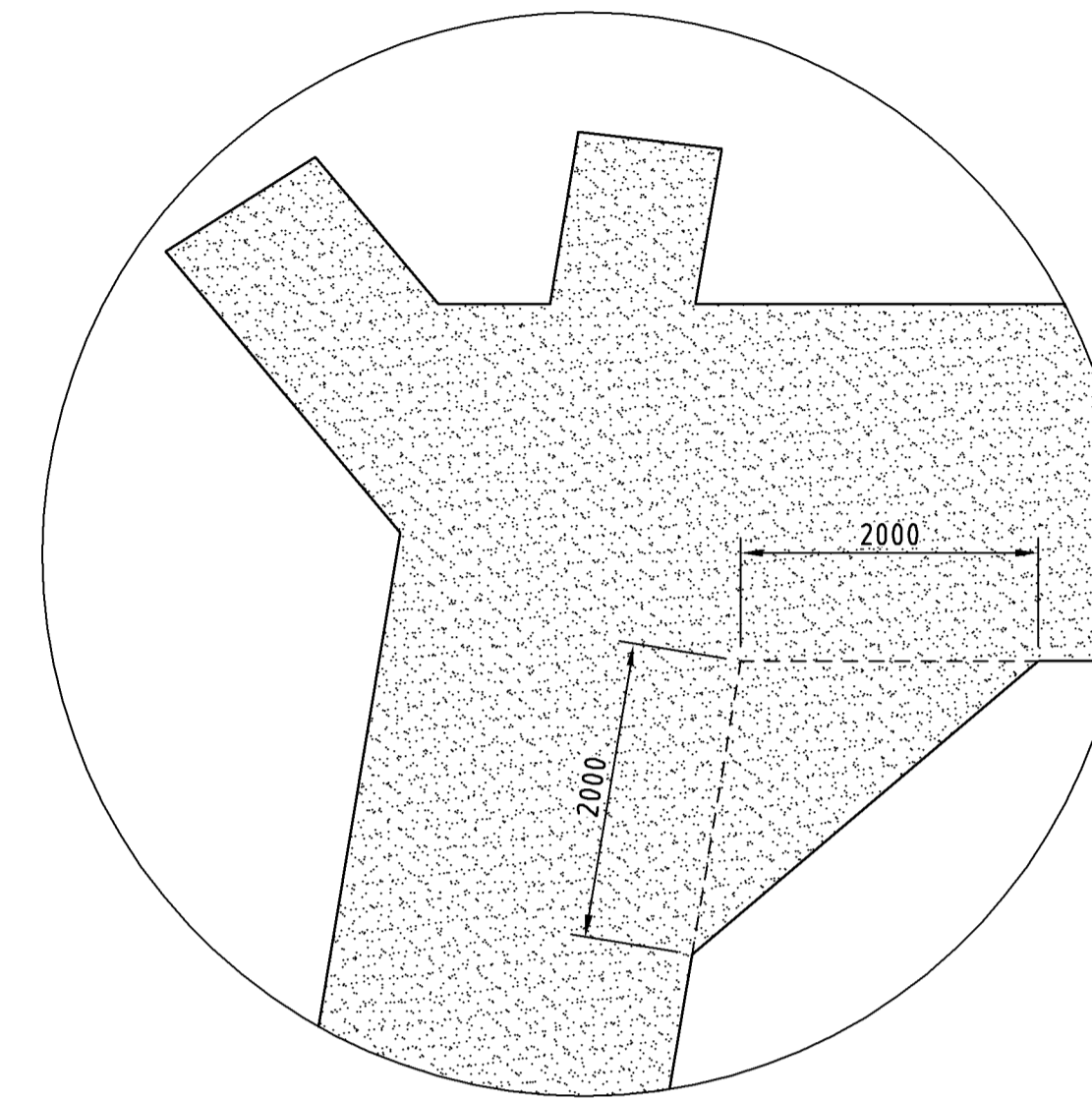


**NOTES**

1. CONCRETE N25 IN ACCORDANCE WITH AS1379 AND AS3600.
2. ALL CONCRETE TO BE BROOM FINISHED PERPENDICULAR TO PATH LENGTH.
3. PATH CROSS FALL DIRECTION TO SUIT NATURAL GROUND (1 in 100 MIN, 1 in 40 MAX) U.N.O.
4. PROVIDE SAWN JOINTS AT 3600mm CENTRES. REFER TO DETAIL.
5. PROVIDE EXPANSION JOINTS AT 16000mm MAX. CENTRES 10mm WIDE, FULL DEPTH CLOSED CELL CROSS LINKED POLYETHYLENE FOAM (85-150 kg/m) WITH 10x10 'THIOFLEX 600' SEALANT OR APPROVED EQUIVALENT.
6. ALL JOINTS TO BE PERPENDICULAR TO PATH LENGTH AND FINISH WITH APPROVED GROOVING TOOL.
7. COMPACT SUBGRADE AND/OR FILL UNDER PATH AS PER GROUNDWORKS SPECIFICATION.

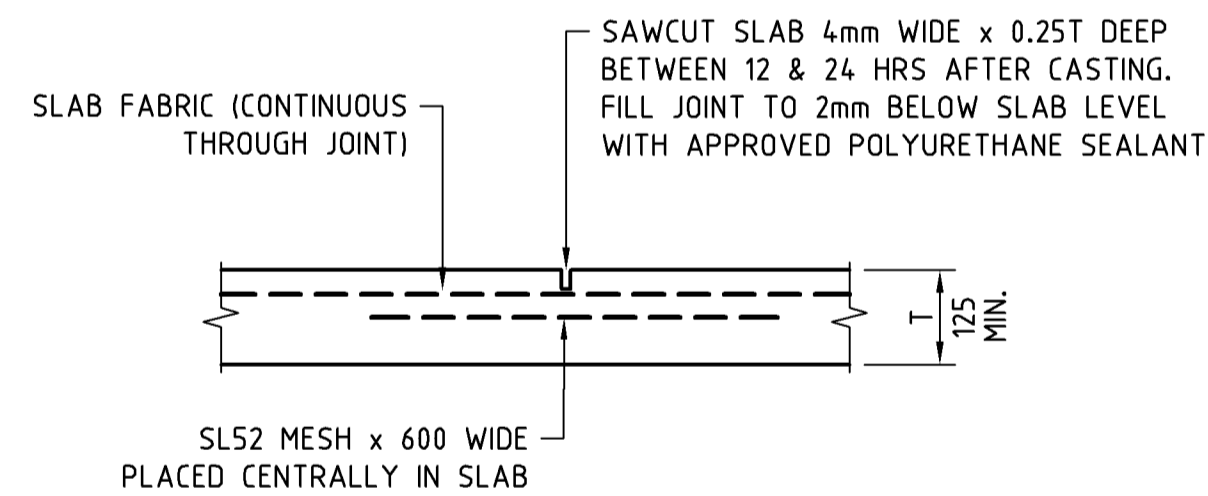
**PEDESTRIAN CONCRETE PATH DETAILS**

SCALE 1:10



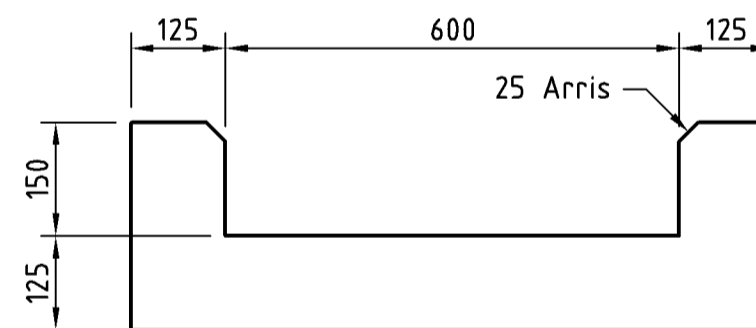
**DETAIL A - TYPICAL PATH CHAMFER**

SCALE 1:50



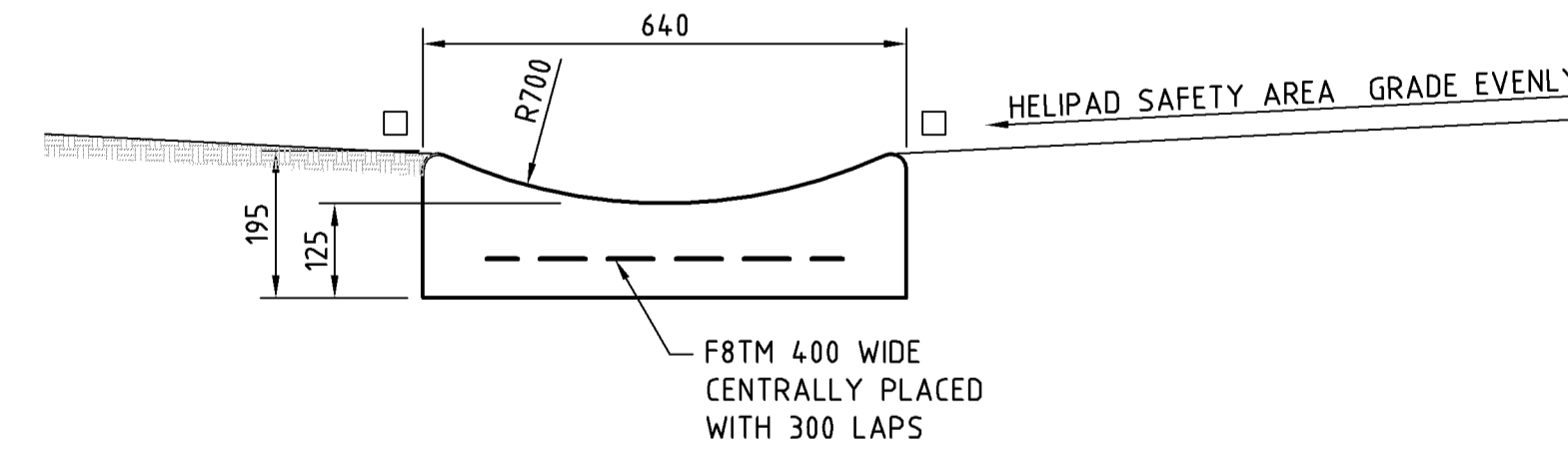
**SAWN JOINT**

SCALE 1:10



**CONCRETE BOX CHANNEL - BC**

SCALE 1:10



**CONCRETE SPOON DRAIN - SD**

SCALE 1:10

**BOX CHANNEL AND SPOON DRAIN NOTES**

1. ALL MATERIALS AND CONSTRUCTION SHALL COMPLY WITH AS2876 EXCEPT FOR DIMENSIONS ON THIS DRAWING.
2. ALL CONCRETE S25 MIN IN ACCORDANCE WITH AS1379 AND AS3600.

**LEGEND**

- 20mm RADIUS.

BARCODE

AMENDMENTS

ISSUE	DATE	SUBJECT	AUTHORISED
*	13.10.11		

DRAWING INDEX SYSTEM  
FOR PROJECT SERVICES - LOGISTICS USE ONLY

<input type="checkbox"/> BUILDING PLATFORM	<input type="checkbox"/> SEWERAGE PLANS
<input type="checkbox"/> CARPARK	<input type="checkbox"/> SPORTS FACILITIES
<input type="checkbox"/> COURTS	<input type="checkbox"/> STANDARDS
<input type="checkbox"/> EARTHWORKS	<input type="checkbox"/> STORMWATER PLANS
<input type="checkbox"/> OTHER	<input type="checkbox"/> SURVEY PLAN
<input type="checkbox"/> RETAINING WALLS	<input type="checkbox"/> WATER RETICULATION SITE PLAN
<input type="checkbox"/> ROADWORKS/ACCESS ROADS	<input type="checkbox"/> WATER RETICULATION

Queensland Government

CONSULTANT  
**Project Services**  
Department of Public Works  
© The State of Queensland 2006

EA	DRAFTING CHECK
EA	DESIGN VERIFICATION
J. LAWRENCE	DATE 13.10.2011
J. LAWRENCE	DATE 13.10.2011

COOKTOWN HOSPITAL  
HELIPAD UPGRADE

CIVIL WORKS - HELIPAD DETAILS  
SHEET 2 OF 2

SCALE AS SHOWN AT A1 SIZE

MASTER SITE NUMBER 26449	CLIENT REFERENCE NUMBER
DRAWING NUMBER 60093 / CD / C06.05	ISSUE SHEET NO *